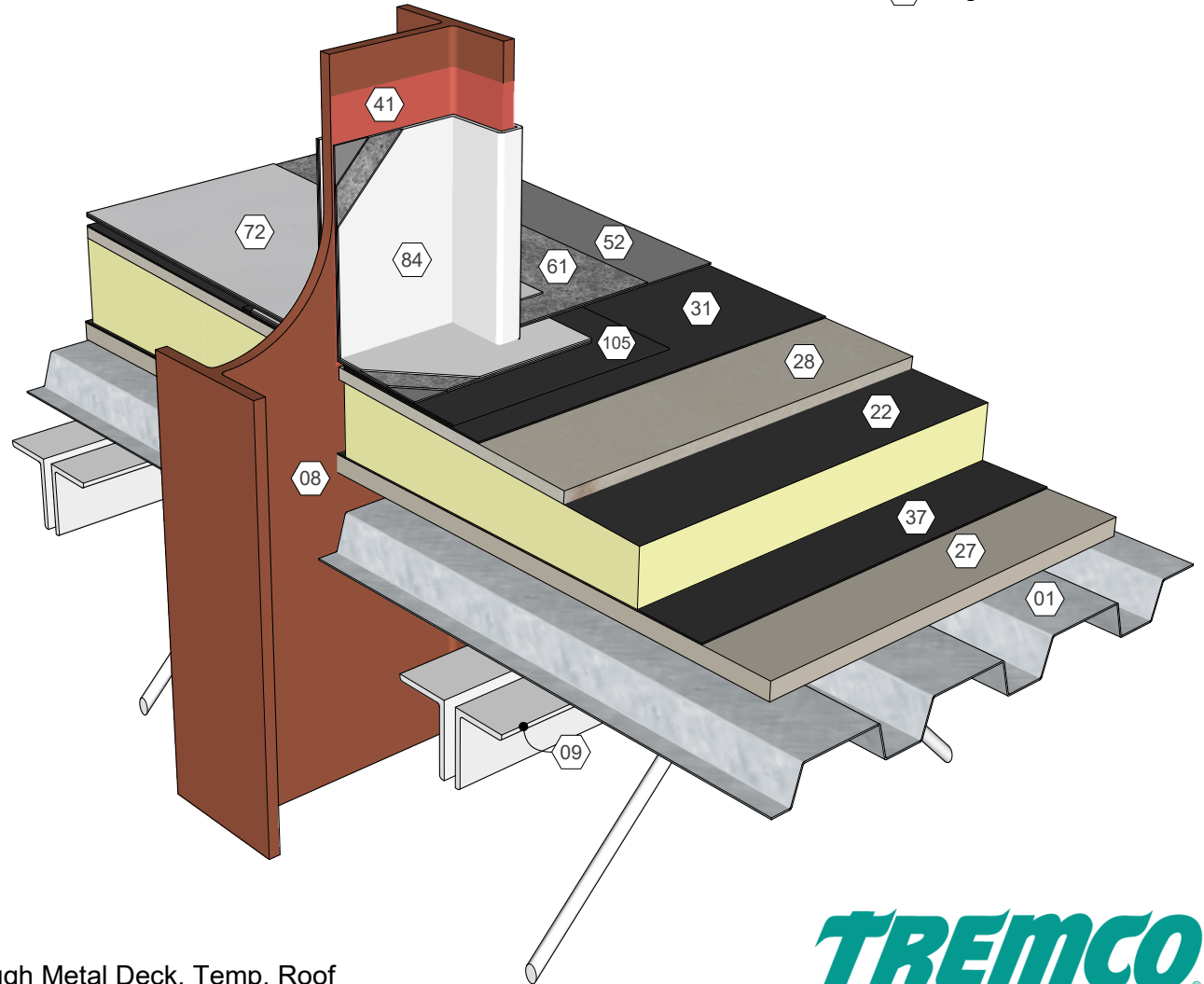
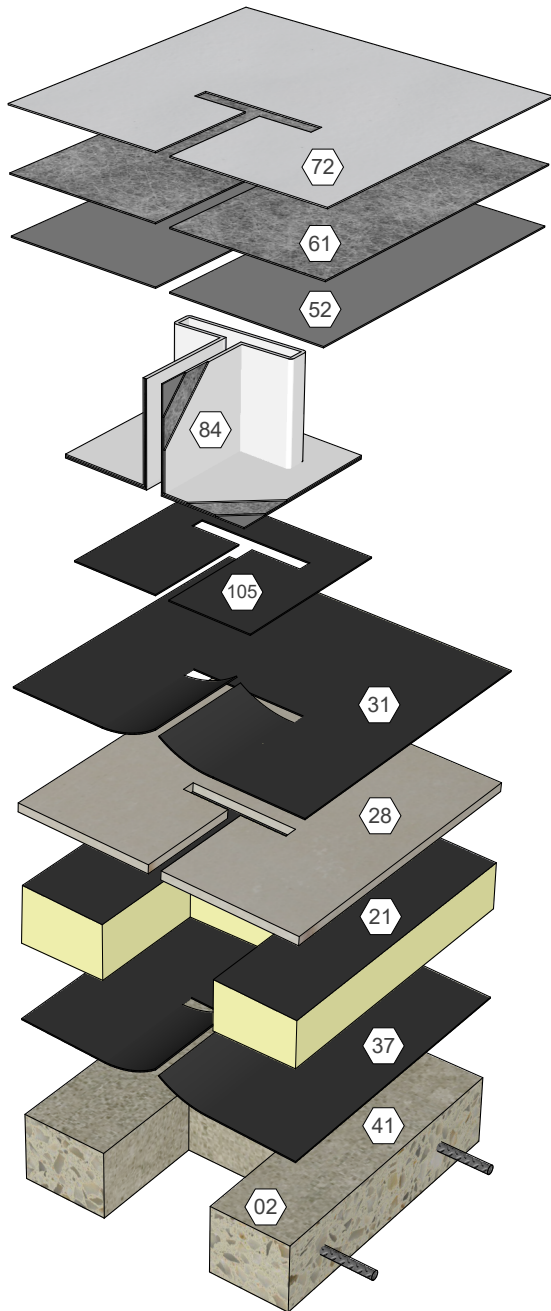


KEY NOTES

- 01 Metal Deck
- 08 Structural Member
- 09 Roof Structure
- 22 Polyisocyanurate Insulation (Fastened or Adhered)
- 27 Substrate Board (Fastened)
- 28 Cover Board (Adhered)
- 31 Approved Base Ply Sheet
- 37 Approved Base Sheet (Adhered)
- 41 Approved Primer
- 52 AlphaGuard BIO Base Coat
- 61 AlphaGuard Glass Mat or Permafab
- 72 AlphaGuard BIO Top Coat
- 84 AlphaGuard Flashing
- 105 Target Patch

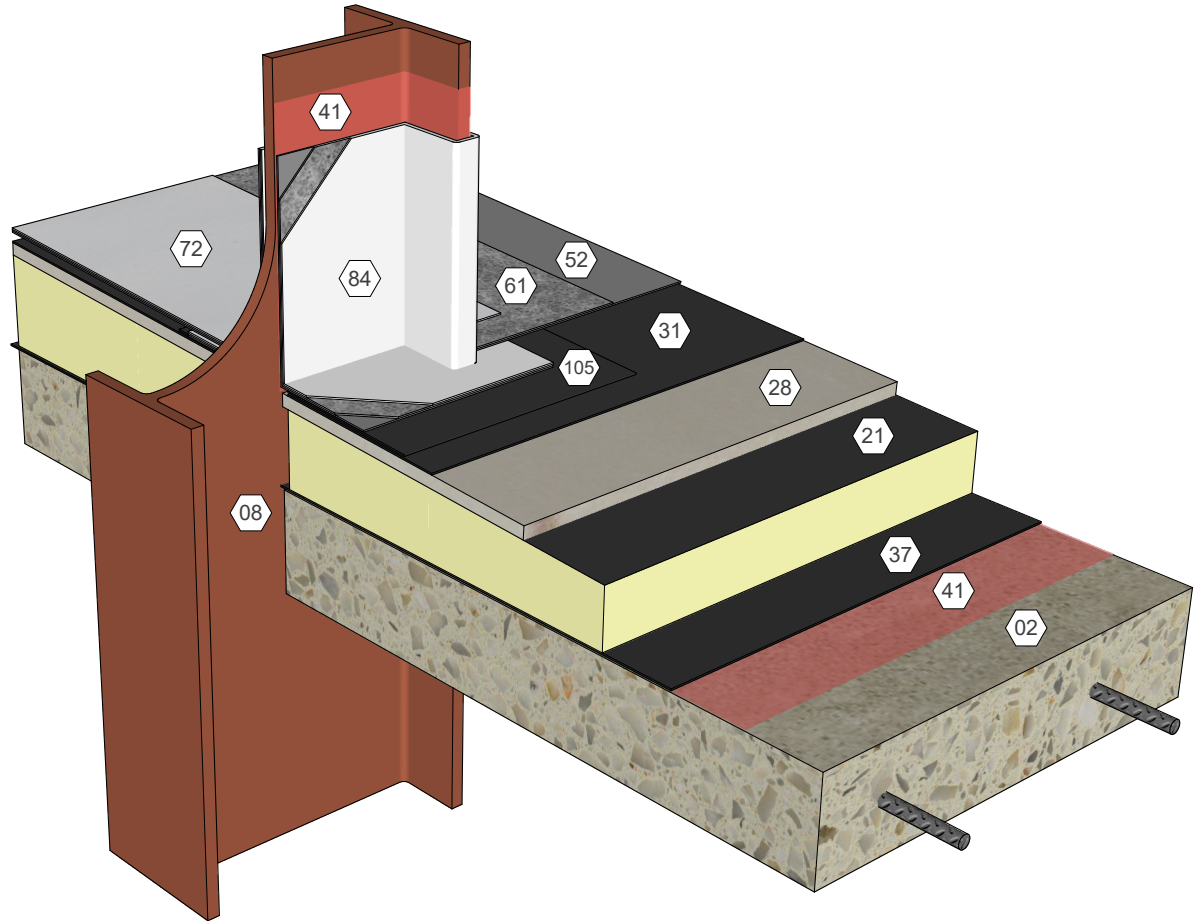


AlphaGuard® BIO Plus Structural Member Through Metal Deck, Temp. Roof
Detail 33141

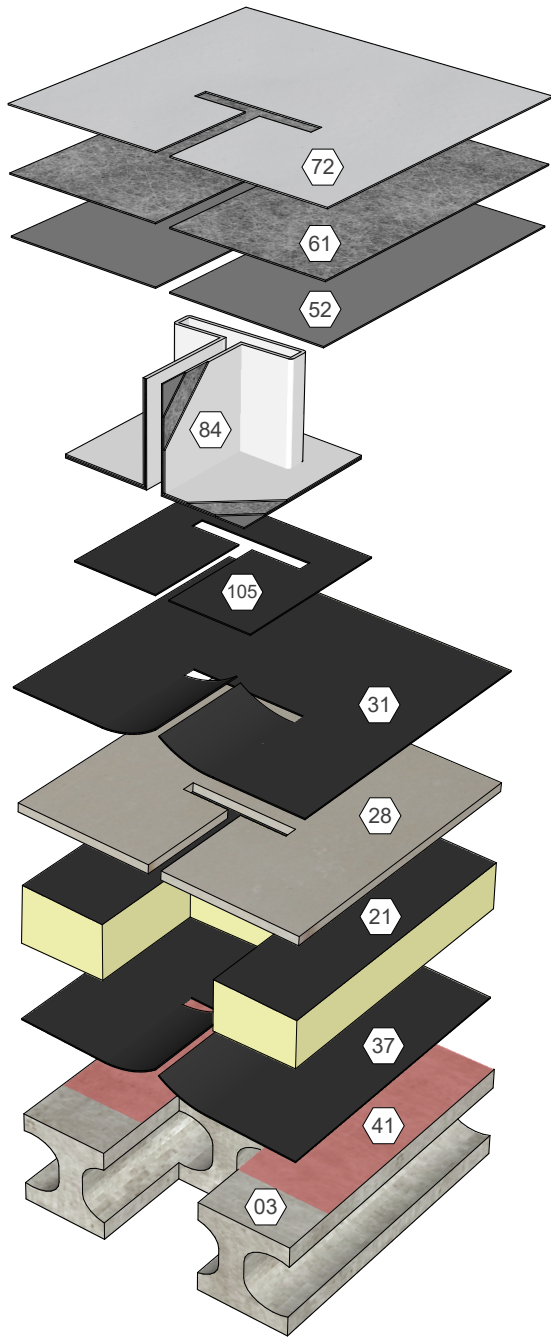


KEY NOTES

- | | | |
|---|-----------------------------------|--------------------------------------|
| 02) Structural Concrete Deck | 31) Approved Base Ply Sheet | 61) AlphaGuard Glass Mat or Permafab |
| 08) Structural Member | 37) Approved Base Sheet (Adhered) | 72) AlphaGuard BIO Top Coat |
| 21) Polyisocyanurate Insulation (Adhered) | 41) Approved Primer | 84) AlphaGuard Flashing |
| 28) Cover Board (Adhered) | 52) AlphaGuard BIO Base Coat | 105) Target Patch |

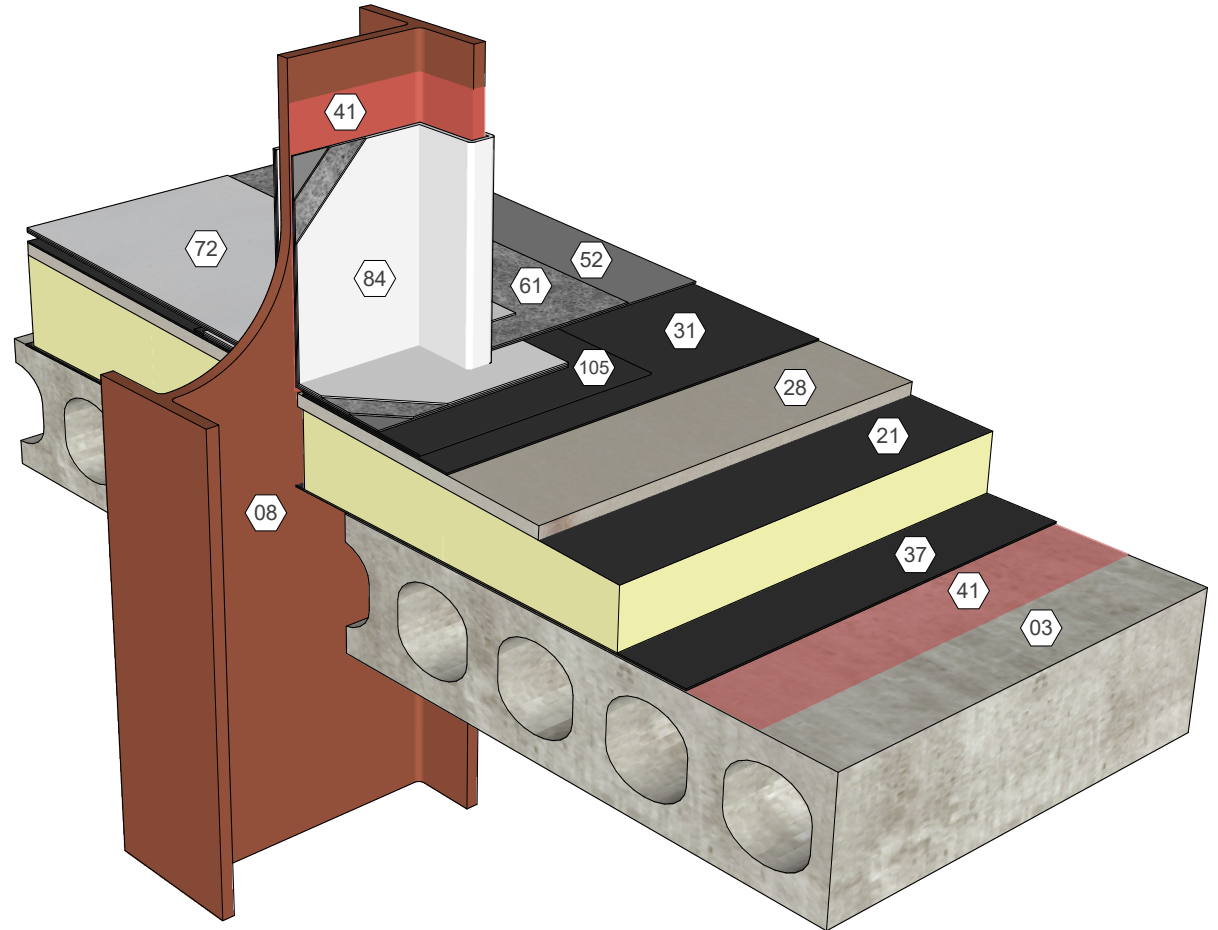


AlphaGuard® BIO Plus Structural Member Through Structural Concrete Deck, Temp. Roof
Detail 33142

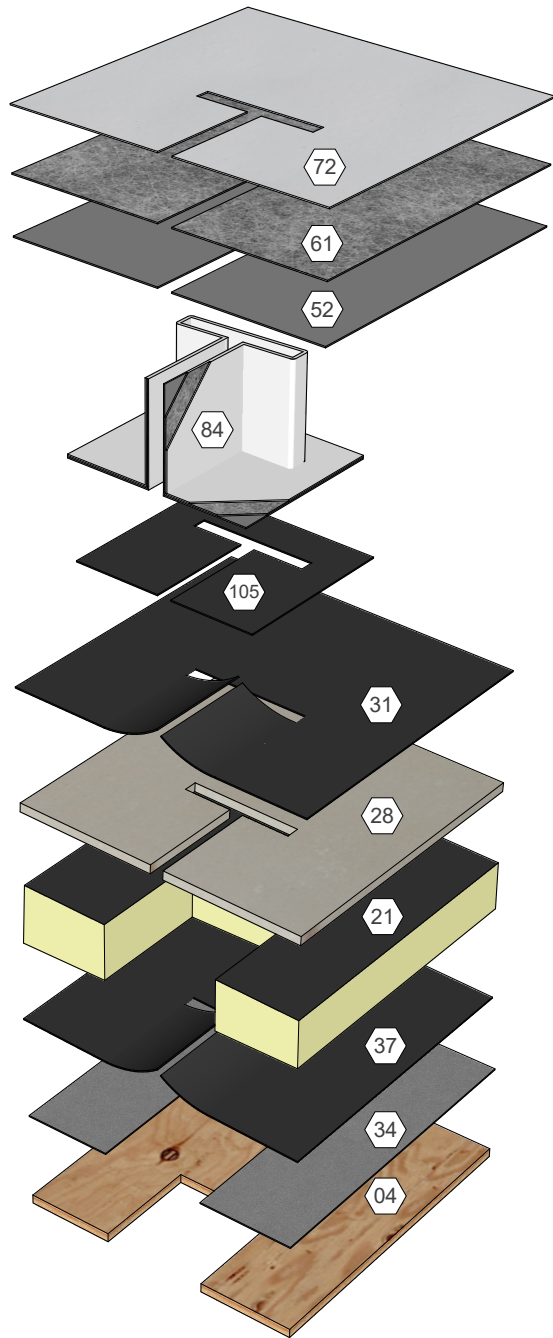


KEY NOTES

- | | | |
|---|-----------------------------------|--------------------------------------|
| 03) Precast Concrete Deck | 31) Approved Base Ply Sheet | 61) AlphaGuard Glass Mat or Permafab |
| 08) Structural Member | 37) Approved Base Sheet (Adhered) | 72) AlphaGuard BIO Top Coat |
| 21) Polyisocyanurate Insulation (Adhered) | 41) Approved Primer | 84) AlphaGuard Flashing |
| 28) Cover Board (Adhered) | 52) AlphaGuard BIO Base Coat | 105) Target Patch |

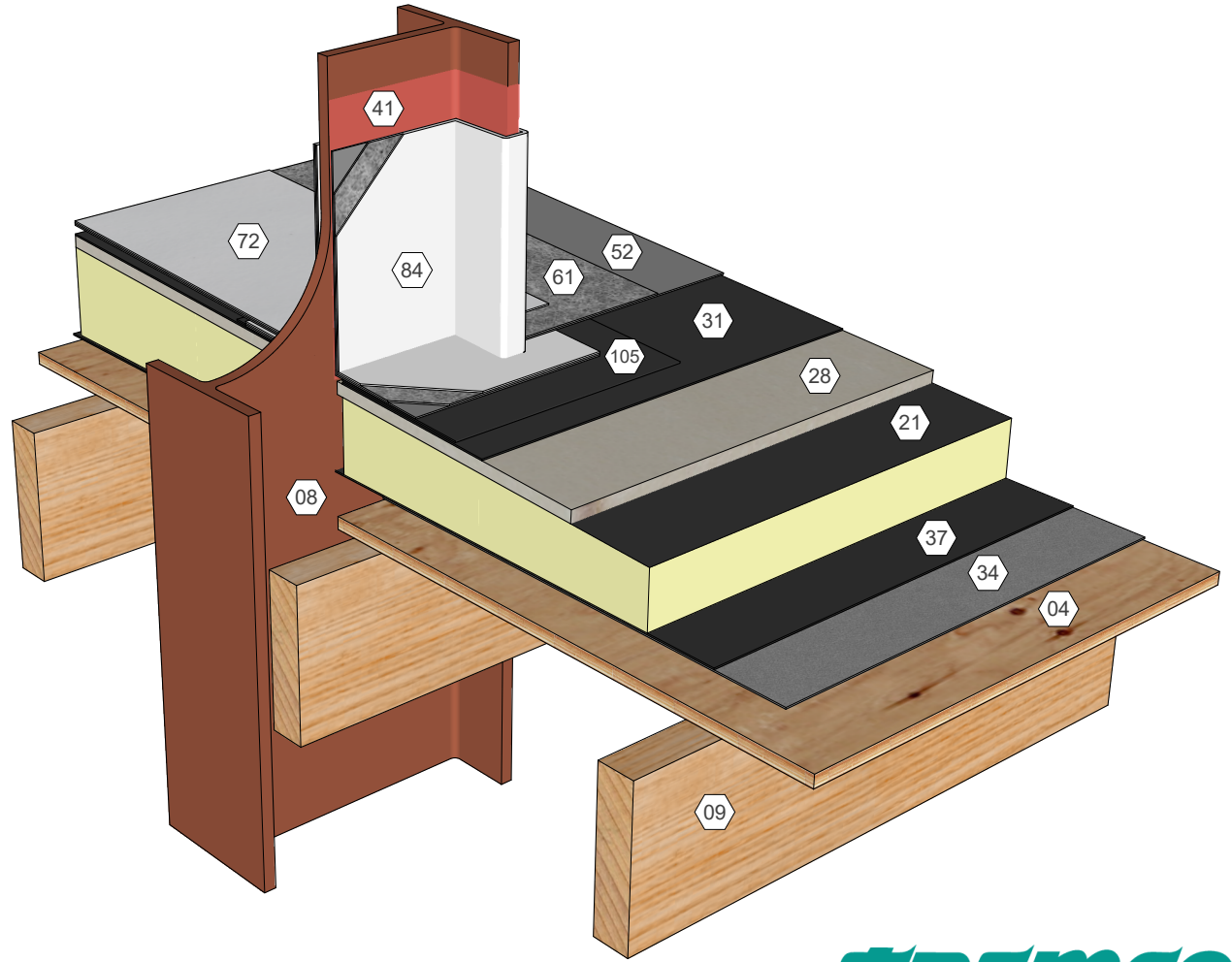


AlphaGuard® BIO Plus Structural Member Through Precast Concrete Deck, Temp. Roof
Detail 33143

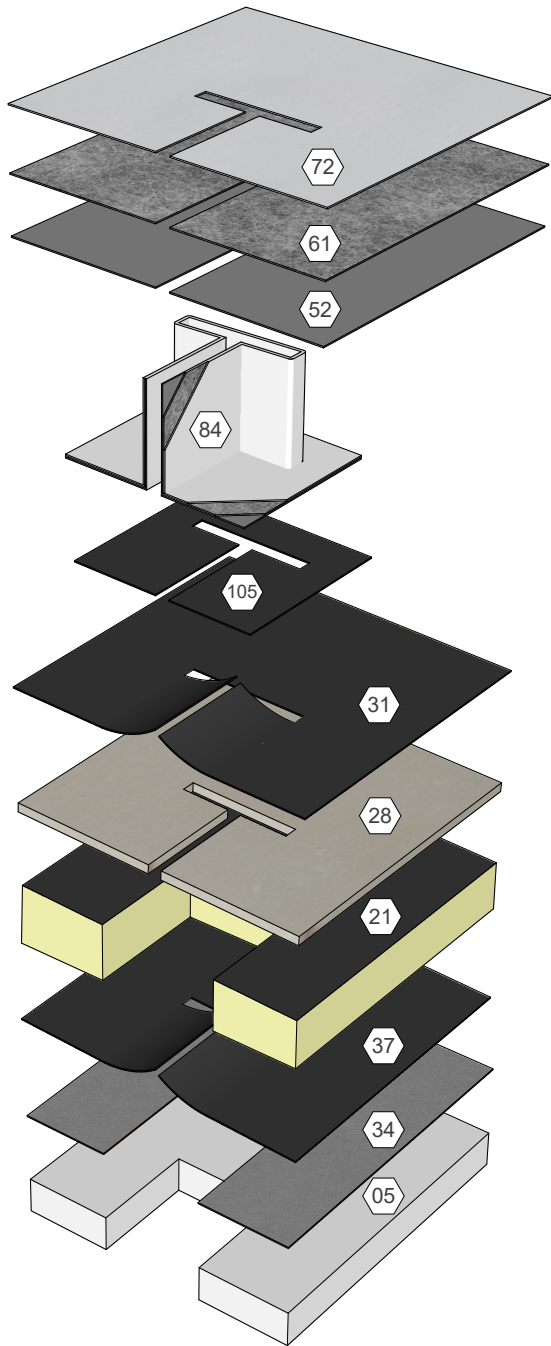


KEY NOTES

- | | | |
|---|-----------------------------------|--------------------------------------|
| 04) Wood Deck | 28) Cover Board (Adhered) | 52) AlphaGuard BIO Base Coat |
| 08) Structural Member | 31) Approved Base Ply Sheet | 61) AlphaGuard Glass Mat or Permafab |
| 09) Roof Structure | 34) Base Sheet (Fastened) | 72) AlphaGuard BIO Top Coat |
| 21) Polyisocyanurate Insulation (Adhered) | 37) Approved Base Sheet (Adhered) | 84) AlphaGuard Flashing |
| | 41) Approved Primer | 105) Target Patch |

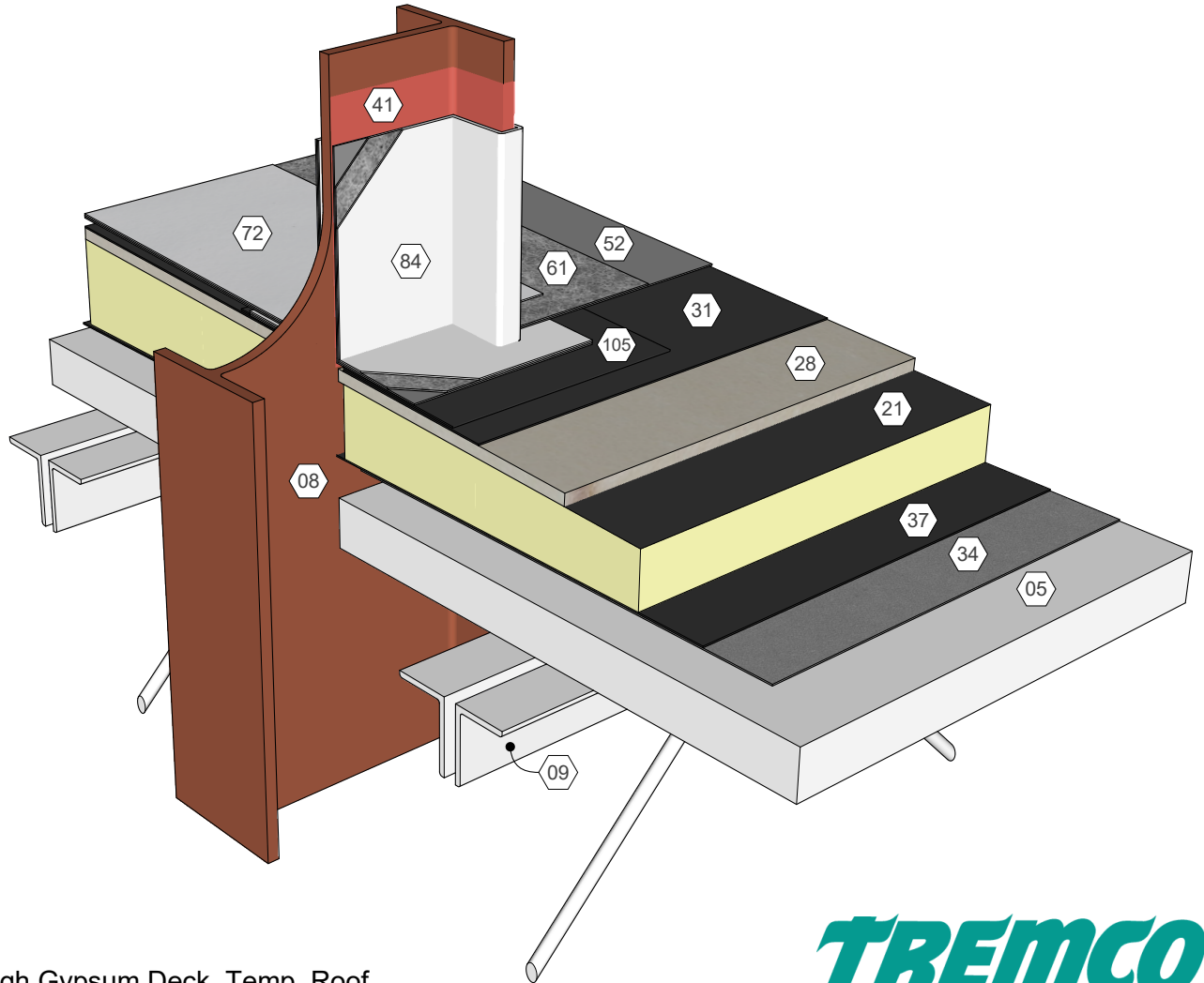


AlphaGuard® BIO Plus Structural Member Through Wood Deck, Temp. Roof
Detail 33144



KEY NOTES

- | | | |
|---|-----------------------------------|--------------------------------------|
| 05) Gypsum Deck | 28) Cover Board (Adhered) | 52) AlphaGuard BIO Base Coat |
| 08) Structural Member | 31) Approved Base Ply Sheet | 61) AlphaGuard Glass Mat or Permafab |
| 09) Roof Structure | 34) Base Sheet (Fastened) | 72) AlphaGuard BIO Top Coat |
| 21) Polyisocyanurate Insulation (Adhered) | 37) Approved Base Sheet (Adhered) | 84) AlphaGuard Flashing |
| | 41) Approved Primer | 105) Target Patch |



AlphaGuard® BIO Plus Structural Member Through Gypsum Deck, Temp. Roof
Detail 33145